

# CONCRETE DETERMINATOR INSPECTOR KIT

A compact kit for instant and precise testing of both Surface and In-Body concrete Moisture Content in floors and slabs using a unified gravimetric-based testing method. The Tramex CMEX5 digital moisture meter allows for non-destructive quantitative testing of concrete and comparative testing per ASTM F2659. The reusable Concrete Moisture Determinator Probe used with the CMEX5 allows for in-depth moisture content probe testing within the concrete. The CMEX5 also incorporates reusable plug-in Hygro-i2<sup>®</sup> RH probes for in-situ testing of concrete. An infrared surface thermometer gives surface temperature and dew point conditions when used in conjunction with the CMEX5 hygrometer. The Concrete Determinator Inspector Kit comes in a protective heavy-duty carrying case with die-cut foam lining. The Tramex Meters App allows you to GeoTag test results, create, save and share reports and charts, as well as see your meter screen on your phone when using the CMEX5 extension handle.

**TRAMEX METERS APP**  
FOR IOS & ANDROID DEVICES (PHONE NOT INCLUDED WITH KIT)

Product Code: CDIK

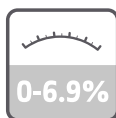


## KIT CONTENTS

1. Concrete Moisture Encounter X5 - CMEX5.
2. App available for Android and iOS (phone not included).
3. Concrete Moisture Probe 'Determinator'.
4. 1 x Hygro-i2<sup>®</sup> Reusable Relative Humidity probe.
5. Calibration Check Plate.
6. Infrared Thermometer.
7. Hole liners.
8. Extension Handle.



NON-DESTRUCTIVE



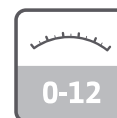
CONCRETE %MC  
READING RANGE



CM EQUIV CONCRETE  
READING RANGE



CM EQUIV ANHYDRITE  
READING RANGE



GYPSUM REFERENCE  
READING RANGE



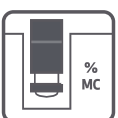
AMBIENT  
RH, T, DP, g/kg



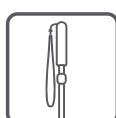
ACCOMPANYING  
APP



IN SITU  
RH, T, DP, g/kg



IN SITU  
%MC



EXTENSION HANDLE



ASTM  
F2659



ASTM  
F2170

## CONCRETE MOISTURE ENCOUNTER X5 - SPECIFICATIONS & MEASURING RANGE



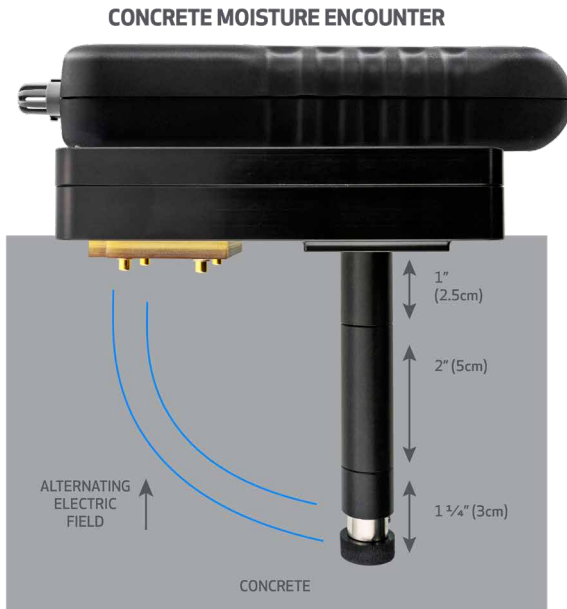
The Tramex Concrete Moisture Encounter X5 is a non-destructive digital multi moisture meter for concrete floors and slabs providing instant and precise quantitative measurement of moisture content using Gravimetric testing as a baseline. The CMEX5 also provides Carbide Method equivalent readings for concrete and other cementitious substrates as well as comparative readings as per ASTM F2659. Incorporating plug-in ports for the optional Hygro-i2<sup>®</sup> relative humidity probe testing per ASTM F2170 and heavy-duty pin-type wood probes, this moisture meter transforms into the ideal all-in-one instrument for the flooring professional.

Size:	180mm x 85mm x 40mm (7.1" x 3.4" x 1.6")	Moisture content for Concrete:	0 → 6.9 %
Weight:	357g (12.59oz)	Comparative for Gypsum floor screed:	0 → 12
Construction:	ABS Body	CM Equiv Anhydrite/Concrete:	0 → 2.7 / 0 → 4.3
Power:	2 x AALR6 ALKALINE (included)	Reference scale:	0 → 100
Display:	Digital	Relative Humidity	0 → 99%
Depth of penetration in concrete:	approx. 20mm (3/4")	(with optional Hygro-i2 <sup>®</sup> probe):	
		Humidity accuracy: 0% to 99%RH +/- 2% @ 25°C/77°F	
		Moisture content for wood	
		(with optional wood pin probes):	5 → 30 %

Free App Available for Mobile and Tablet:



## CONCRETE MOISTURE ENCOUNTER PROBE - THE DETERMINATOR - SPECIFICATIONS



The Determinator Probe and CMEX5 allow for a unified gravimetric-based testing method of moisture content both on the surface and within the body of the concrete. %MC readings for both the in-situ and the non-destructive surface tests eliminate confusion between different testing method data. The Determinator conductive probes are reusable, extendable, and require no plastic hole liners. The hole diameter required is the same for the Hygro-i2 RH test as per F2170.

- Results without waiting.
- Easily identify Dew Point, Hydrostatic Pressure, and other potential causes of moisture problems.
- Latest Concrete Moisture Meter from Tramex with App for detailing results.

### Depth of Penetration:

- 3cm (1 1/4") probe depth for concrete between 5 to 10cm (2" to 4")
- 5.7cm (2 1/4") probe depth for concrete between 10 to 15cm (4" to 6")
- 8.3cm (3 1/4") probe depth for concrete between 15 to 22cm (6" to 9")
- 10.8cm (4 1/4") probe depth for concrete between 22 to 28cm (9" to 11")

## INFRARED THERMOMETER - IRT2 - SPECIFICATIONS & MEASURING RANGE

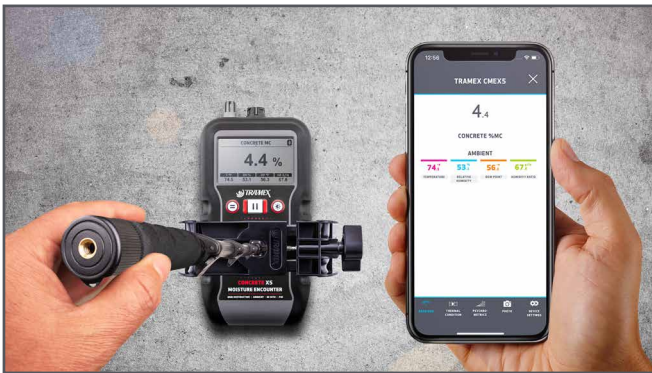


The IRT2 is a handheld, dual laser, non-contact Infrared Thermometer with 12:1 distance to spot ratio and audible and visible high/low set point alarms. It is used to measure and display surface temperatures within the range of -50°C to 650°C (-58°F to 1202°F) and has an accuracy of approximately 1 to 1.5% (see Specifications for details). The IRT2 has a fast response time (0.15 sec) and is powered with a 9V battery and complies with Class II UK/EU laser safety standard EN60285.

Temperature range:	-50 to 650 °C (-58°F ~ 1202°F)
Distance to Spot ratio:	D:S = 12:1
Accuracy for targets assuming ambient operating temperature of 23 to 25 °C (73 to 77°F):	
	-50 ~ 20°C (-58°F ~ 68°F) ±2.5°C(4.5°F)
	20°C ~300°C (68°F ~572°F) ±1.0% ±1.0°C (1.8°F)
	300°C ~650°C (572°F ~ 1202°F) ±1.5%
Emissivity:	Digitally adjustable from 0.10 to 1.0
Power supply:	9V battery, NEDA 1604A or IEC 6LR61, or equivalent.

## KIT SPECIFICATIONS

Size:	43.5cm x 36cm x 14cm (17.1" x 14.2" x 5.5")	Weight:	3.6 kg (7.9 lbs)
Power:	2 x AA batteries, 1 x 9 volt PP3 battery		



**Checkline Europe S.L. ®**  
 Calle Real 85, Planta 2 B1  
 29680 Estepona (Málaga)  
 España

Distributed by:



Tel: +34 951 870 125  
 Web: <https://www.checkline.es>  
 E-mail: [info@checkline.es](mailto:info@checkline.es)